

NV55 Series

High Flow, Compact Size Valve
Metal Diaphragm Sealed, High Cycle Life
Stainless Steel



Value Proposition:

The NV55 is an economical, general purpose, high flow diaphragm valve ideally suited for use when flowing large volumes of corrosive and non-corrosive fluids.

This compact, 316L stainless steel valve ensures positive and consistent shut off with manual or air actuation. The NV55 offers an Elgiloy® diaphragm and a metal-to-metal seal to atmosphere for leak integrity.



Contact Information:

Parker Hannifin Corporation
Veriflo Division
250 Canal Blvd
Richmond, California 94804

phone 510 235 9590
fax 510 232 7396
veriflo.sales@parker.com

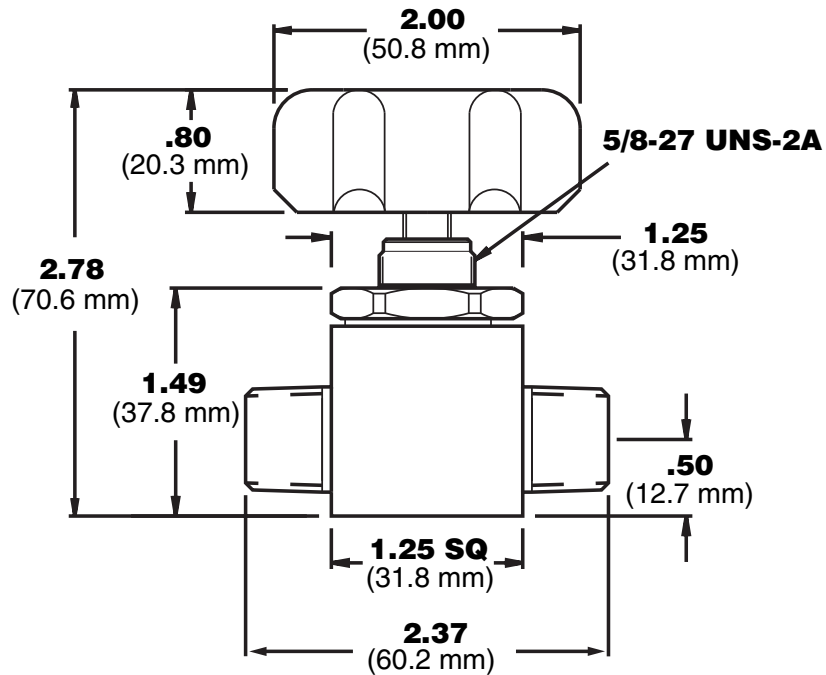
www.parker.com/veriflo
Mobile App: m.parker.com/veriflo

Product Features:

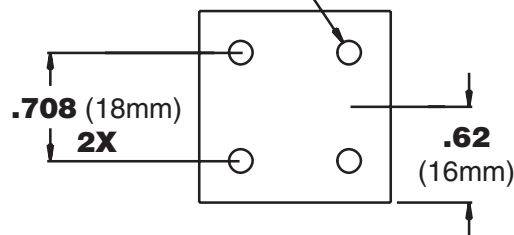
- Internally threadless and springless
- High cycle life
- Compact size
- Positive, consistent shut off
- Metal-to-metal seal to atmosphere
- Cleaned for O₂ service
- Ideal for high flow applications
- Fully functional from vacuum to 125 psig for AOPLPNO valves / 250 psig for manual and AOPLPNC valves

NV55 Series

Dimensional Drawing



4X 10-32 UNF - 2B



DIMENSION TABLE

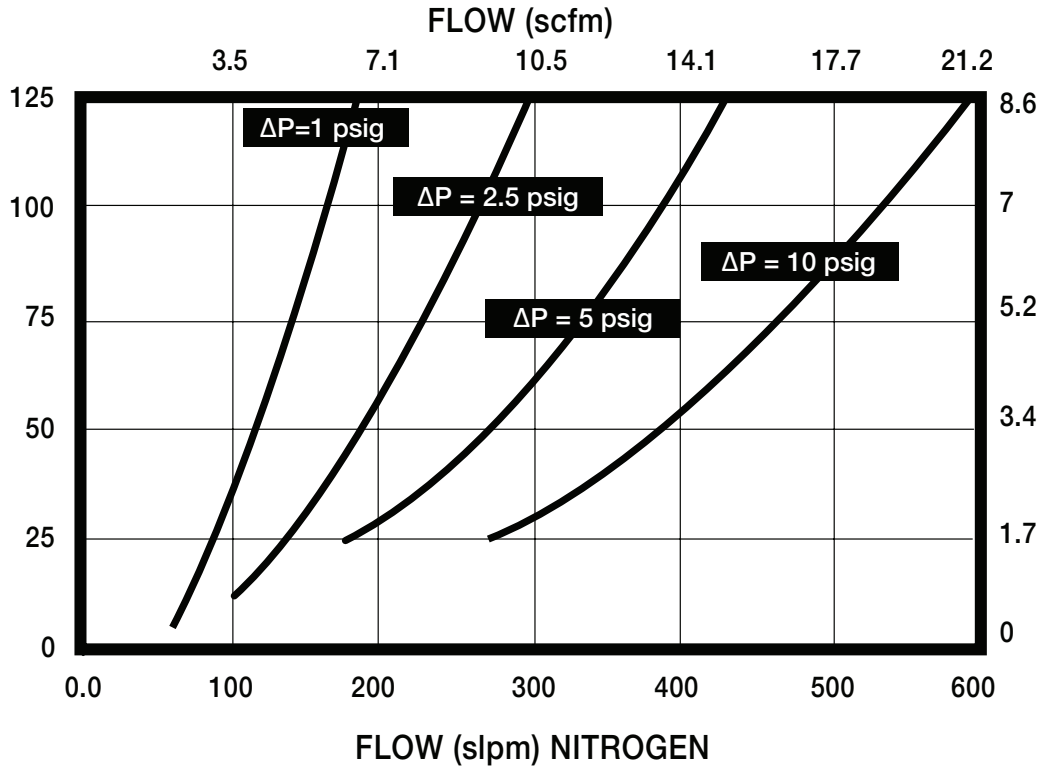
Connection Type	End to End Dimension
44MM	2.37 (60.198 mm)
44FF	2.37 (60.198 mm)
44TT	2.06 (52.324 mm)
66MM	2.37 (60.198 mm)
66FF	2.37 (60.198 mm)
66TT	2.19 (55.626 mm)
88MM	2.75 (69.850 mm)
88FF	2.59 (65.786 mm)
88TT	2.19 (55.626 mm)

Note: Dimensions for the Compression Fitting Connections (__TT) do not include nuts and ferrules.

NV55 Series

Flow Curve

Additional flow curves available upon request



Ordering Information

Build a NV55 Series valve by replacing the numbered symbols with an option from the corresponding tables below.

Color Explanations: Black = Standard Lead Time Configurations
 Blue = Extended Lead Time Configurations
 Green *Italic* = Express Service Program (ESP)

For an explanation of Ordering options please reference literature 25000275 at www.parker.com/veriflo

Sample: **NV55** **LL** **S** **44MM** **VESP**
 Finished Order: **NV55LLS44MMVESP**

- 1 Type**
- AOPLPNC = Air Operated, Low Pressure, Normally Closed
 - AOPLPNO = Air Operated, Low Pressure, Normally Open
 - I = Indicator Knob
 - L = Lever
 - LL = Locking Lever
 - M = Mini Lever
 - S = Spin Handwheel

- 3 Connections**
- 44MM = 1/4" Male NPT In & Out
 - 44FF = 1/4" Female NPT In & Out
 - 44TT = 1/4" Compression In & Out
 - 66MM = 3/8" Male NPT In & Out
 - 66FF = 3/8" Female NPT In & Out
 - 66TT = 3/8" Compression In & Out
 - 88MM = 1/2" Male NPT In & Out
 - 88FF = 1/2" Female NPT In & Out
 - 88TT = 1/2" Compression In & Out
- Compression ends include nuts and ferrules*

- 4 Optional Features**
 This section can have multiple options
- PM = Panel Mount *Not available with Indicator Knob (I) or AOP units (AOPLPNC or AOPLPNO)*
 - PEEK = PEEK™ Seat *Not available with VESP option*
 - VESP = Vespel® Seat *Recommended for N₂O Service. Not available with PEEK option.*

- 2 Material**
- S = Stainless Steel

NV55 Series

Specifications

Materials of Construction	
Wetted	
Body	316L Stainless Steel
Diaphragm	Elgiloy® or equivalent
Seat Options	PCTFE (std), PEEK™ or Vespel®
Non-wetted	
Nut	17-4 PH
Cap	17-4 PH
Actuation Devices	
AOP	Aluminum
Indicator Knob	Aluminum (Black)
Levers	Zinc Alloy, Powder Coated (Blue)
Handwheel	ABS (Black)
Operating Conditions	
Operating Pressure	
Manual, AOPLPNC	vacuum to 250 psig (17.2 barg)
AOPLPNO	vacuum to 125 psig (8.6 barg)
AOP Actuation Pressure	70 - 125 psig (4.8 - 8.6 barg)
Temperature	-15°F to 150°F (-26°C to 66°C)
Bake out	250°F (121°C) in the open position

Functional Performance	
Design	
Burst Pressure	750 psig (52 barg)
Proof Pressure	375 psig (26 barg)
Flow Capacity	
AOP versions, Indicator Knob and Handwheel	C _v 0.55
Lever versions	C _v 0.48
Leak Rate	
Internal	Bubble Tight
External	Bubble Tight
Internal Volume	3.29 cc
Approx. Weight	0.81 lbs. (0.36 kg)

Vespel® is a registered trademark of DuPont Performance Elastomers L.L.C.
Elgiloy® is a registered trademark of Elgiloy Company
PEEK™ is a trademark of Victrex plc.

For additional information on materials of construction, functional performance and operating conditions, please contact factory.

OFFER OF SALE:

The items described in this document are hereby offered for sale by Parker-Hannifin Corporation, its subsidiaries or its authorized distributors. This offer and its acceptance are governed by the provisions stated in the detailed "Offer of Sale" elsewhere in this document or available at www.parker.com/veriflo

WARNING USER RESPONSIBILITY

FAILURE OR IMPROPER SELECTION OR IMPROPER USE OF THE PRODUCTS DESCRIBED HEREIN OR RELATED ITEMS CAN CAUSE DEATH, PERSONAL INJURY AND PROPERTY DAMAGE. THIS DOCUMENT IS FOR REFERENCE ONLY. PLEASE CONSULT FACTORY FOR LATEST PRODUCT DRAWINGS AND SPECIFICATIONS

This document and other information from Parker-Hannifin Corporation, its subsidiaries and authorized distributors provide product or system options for further investigation by users having technical expertise.

The user, through its own analysis and testing, is solely responsible for making the final selection of the system and components and assuring that all performance, endurance, maintenance, safety and warning requirements of the application are met. The user must analyze all aspects of the application, follow applicable industry standards, and follow the information concerning the product in the current product catalog and in any other materials provided from Parker or its subsidiaries or authorized distributors.

To the extent that Parker or its subsidiaries or authorized distributors provide component or system options based upon data or specifications provided by the user, the user is responsible for determining that such data and specifications are suitable and sufficient for all applications and reasonably foreseeable uses of the components or systems.

The products described herein, including without limitation, product features, specifications, designs, availability and pricing are subject to change by Parker Hannifin Corp and its subsidiaries at any time without notice.

Proposition 65 Warning: This product contains chemicals known to the state of California to cause cancer or birth defects or other reproductive harm.

© 2007 Parker Hannifin Corporation



Use mobile device to scan this QR Code.

LitPN: 25000053

Rev: F

Date of Issue 04/2013



Hanley Controls Clonmel Ltd
Gortnafleur, Clonmel, Co. Tipperary
Tel: +353 (0)52 6122722
e-mail: info@hccl.ie
web: www.hccl.ie

ENGINEERING YOUR SUCCESS.